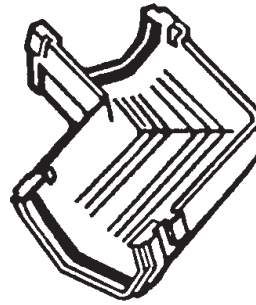
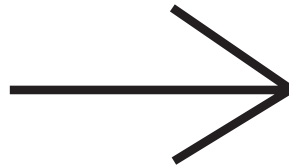
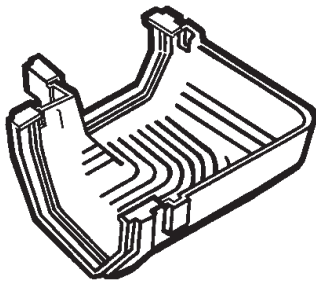


CUSTOM GUTTER CORNER FABRICATION SERVICE



Occasionally there arises a need for a gutter corner with an angle other than the standard 90°. Bay windows, for example, require four 135° corners. Genova has established a service to custom fabricate gutter corners, for the Raingo® and Repla K systems to any angle between 90° and 180°.

To order a custom gutter corner, simply provide the following information and mail it along with payment.

— Allow 2 weeks to process your order —

- RW103S (White Raingo Corner - \$18.95 plus shipping*)
- RB103S (Brown Raingo Corner - \$18.95 plus shipping*)
- AW103AS (White Repla K Inside Corner - \$19.95 plus shipping*)
- AB103AS (Brown Repla K Inside Corner - \$19.95 plus shipping*)
- AW103BS (White Repla K Outside Corner - \$19.95 plus shipping*)
- AB103BS (Brown Repla K Outside Corner - \$19.95 plus shipping*)

Michigan Residents add 6% State Sales Tax

Name _____

Address _____

City _____ State _____ ZIP _____

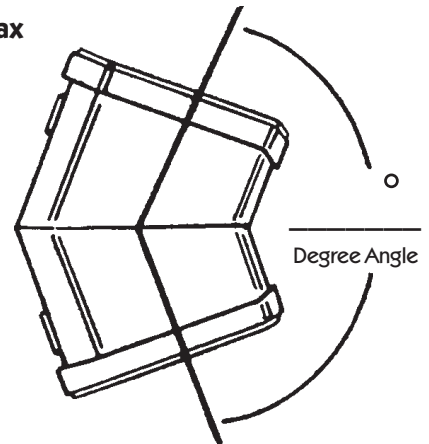
Phone: Area code () _____

VISA MasterCard American Express Check
Credit Card No. _____

CW# _____ Expiration Date __/__/__

The Card Verification Value (CV) is a 3-digit number found on the signature panel on the back of your credit card. It is an additional safeguard that helps us validate your purchase and protect against fraud. It is not contained in the magnetic stripe information and is therefore not printed on sales receipts.

Authorized Signature _____
* Shipping Charges: 1st Corner. . . \$7.00 Each add'l. . . \$1.00 each



Quantity Ordered

To order gutter corners of different angles provide a sketch of the roofline with angles marked.

Mail to:
Genova Products, Inc.
Custom Corner Service
Box 309
7034 East Court Street
Davison, MI 48423-0309