

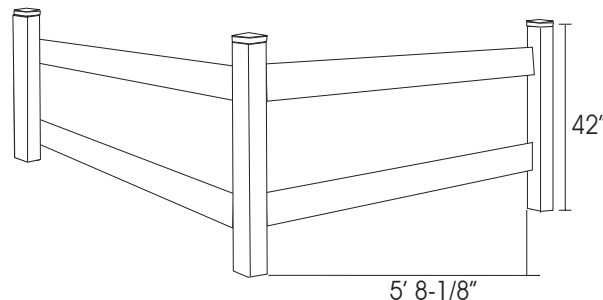
Vinyl Fence in-a-box

2 Rail Corner Kit

Part # FRC100-White

Kit Contains

- 4 2" x 4" Notched Rails
- 2 4" x 4" Routed End Posts
- 1 4" x 4" Routed Corner Post
- 3 Bevel Post Tops



Parts Needed but Not Included

Genova Vinyl Adhesive

NOTE: YOU SHOULD WEAR SAFETY GLASSES AND GLOVES WHEN WORKING WITH THIS PRODUCT. Genova Vinyl Fence exceeds national building code requirements. Building codes vary in different areas so be sure to consult your local building department for codes and regulations for fence installations.

Project Preparation

- Tools you will need include a carpenter level, a corner level, string, drill with 1/4" drill bit, tape measure, pencil, stakes, and spray paint to mark the ground.
- Stake the ground to locate the proper location of the Fence Posts. To keep Posts in line, stretch a string line between the stakes and align the posts to the string.
- Before setting Posts determine what type of Post (end or corner) is needed at each post location.
- Drill three 1/4" drainage holes through the bottom of the Bottom Rail, making sure to drill through both ribs.

Installation Instructions

1. Set Posts . . .

- Mark the ground where the first post will be installed. Measure 68-1/8" from the inside of one post to the inside of the next post.
- Dig the two post holes 36" deep, pour 6" of gravel into each hole, place Posts in holes and fill with concrete (see illustration).

2. Attach Rails . . .

- Insert Rail into routed End Post. Insert opposite end of Rail into routed Corner Post.
- Repeat this process with the remaining three Rails.

3. Add Decorative Post Tops . . .

- Apply a small amount of Genova White Vinyl Adhesive to the inside bottom surface of the post top, where the top contacts the post.
- Attach the post top, hold for 15 seconds, and wipe off any excess adhesive.
- Repeat above instructions for all remaining Post Tops.

