

Vinyl Fence in-a-box

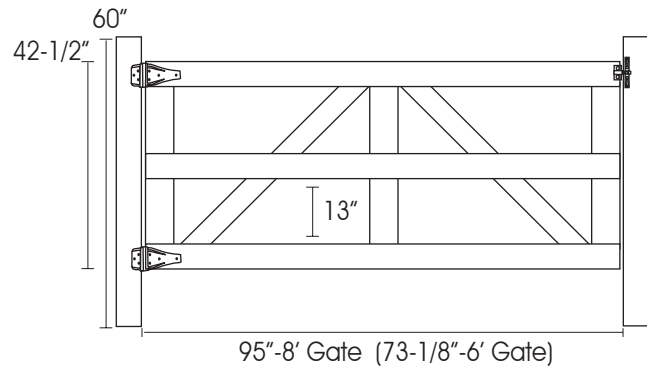
Farm Gate

Part # FGR300-White

Kit Contains

Kits Contains:

- 2 2" x 4" Angled Rails (pre-cut for 8' gate)
- 9 2" x 6" Rail End Caps
- 24 1/2" Hole Plugs
- 2 Gate Stops
- 1 Latch w/ Hardware
- 2 Hinges
- 24 #10 x 3/4" Self-Drilling Phillips Pan Head Screws
- 7 1/4" • 20 x 4" Stainless Steel Phillips Pan Head Machine Screws
- 1 1/4" • 20 x 2-1/4" Stainless Steel Phillips Pan Head Machine Screws
- 8 Stainless Steel Flat Washers
- 8 Stainless Steel Lock Nuts
- 16 #10 x 1-1/4" Stainless Steel Pan Head Screws



Parts Needed but Not Included

- Genova Vinyl Adhesive
- 5 2" x 6" x 96" Notched Ribbed Rails (P/N FW196NR)

NOTE: YOU SHOULD WEAR SAFETY GLASSES AND GLOVES WHEN WORKING WITH THIS PRODUCT.

Genova Vinyl Fence exceeds national building code requirements. Building codes vary in different areas so be sure to consult your local building department for codes and regulations for fence installations.

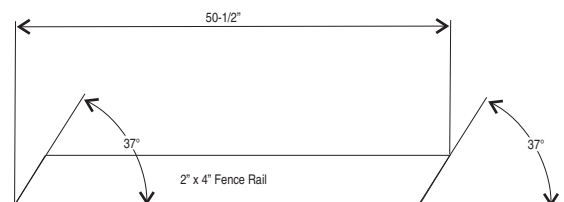
Project Preparation

- Construct Gate Kit with pieces lying on a flat surface.
- A dry fit pre-assembly is recommended, so to avoid incorrectly solvent welding components together.
- Genova recommends reinforcing the End Gate Posts with 8' long 4" x 4" wood posts. Before burying the wood posts notch the wood so the Rails can slide into the routed holes in the Vinyl Post. Cut off the bottom of the Vinyl End Posts and slide them over the wood post. You may need to shave the corners off of the 4" x 4" wood post to get it to slide into the Vinyl Post. A table saw set on a 45° angle works well for doing this.
- A cable brace is recommended for extra reinforcement.

Installation Instructions

1. Set the Gate Posts 95" for an 8' gate or 73-1/8" for a 6' Gate measured inside to inside.
2. Cut three 2" x 6" horizontal Rails to 93-5/8" for an 8' gate or 71-3/4" for a 6' gate, making sure to cut the notches off each end.
3. Cut three 2" x 6" vertical Rails to 42-3/8" using (2) of the 2" x 6" x 96" Rails, making sure to cut the notches off each end.
4. If you wish to make the gate 6' wide, cut the angular rails to 50-1/2" long with a 37° angle on each end. (See Figure 1)

Figure 1



Contact Genova Products with any questions:
(800) 521-7488 or email inquiries@genovaproducts.com

Form# 253521 5/07

Installation Instructions (Continued)

5. Using a 1/2" forstner bit, drill six holes on one side of each vertical Rail according to the dimensions in Figure 2.
6. Lay the three horizontal Rails parallel on a clean, flat surface with 13" between each Rail.
7. Apply Genova Vinyl Adhesive to the back side of the vertical 2" x 6" Rails where the ends will over lap the horizontal 2" x 6" Rails. Place the Vertical Rails on the Horizontal Rails and allow the Adhesive to dry.
8. Using (12) #10 x 3/4" Self-Drilling Screws provided, screw the vertical 2" x 6" Rails to the ends of the horizontal 2" x 6" Rails making sure to keep them perpendicular to each other. (See Figure 3)
9. Find the center of the horizontal Rail and attach the last vertical 2" x 6" Rail in the same manner using (6) #10 x 3/4" Self-Drilling Screws.
10. Set the 2" x 4" angular Boards into place. Pre-drill three 1/2" holes in each 2" x 4" angular Board where they meet the horizontal Rails.
11. Apply Adhesive to the back side of the 2" x 4" Rails, set them in place, and attach them to the horizontal Rails with (6) #10 x 3/4" Self-Drilling Screws.
12. Snap the hole Plugs in place, (See Figure 3) and attach the 2" x 6" Rail Caps with Genova Vinyl Adhesive. (Top and Ends)
13. Install the Hinges centered on the Top & Bottom 2" x 6" Rails. Use the (7) 4" and (1) 2-1/4" Machine Screws, Flat Washers and Lock Nuts to secure the Hinges to the gate. (Use the 2-1/4" Machine Screw on the narrow part of the top Hinge.)
14. Set the gate with Hinges attached against the Post, making sure the gate is at the same level as the fence sections. Attach the Hinge to the Post with the (12) #10 x 1-1/4" Pan Head Screws.
15. Install the Latch System as per the instructions provided with the Latch.
16. After completing the gate installation, close the gate so that the Magnetic Latch has engaged. Place one Gate Stop against the Post and gate at the same level as the Gate Latch. Mark the two screw holes on the Post with a pencil. Open the gate and screw the Gate Stop onto the Post using the (2) #10 x 1-1/4" Pan Head Screws. Repeat this process with the other Gate Stop, positioning it at the bottom of the gate using the remaining (2) #10 x 1-1/4" Pan Head Screws.

Figure 2

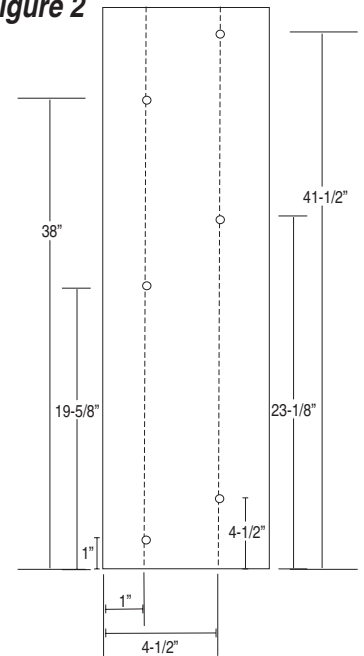


Figure 3 (Top View)

