

Vinyl Fence in-a-box

Traditional Picket

Part # FPK103-White

Part # FPK103A-Tan

Kit Contains

- 1 2" x 4" Top Routed Rail
- 1 2" x 4" Bottom Routed Rail
- 9 Boards
- 9 Picket Board Tops

Parts Needed but Not Included

Genova Vinyl Adhesive

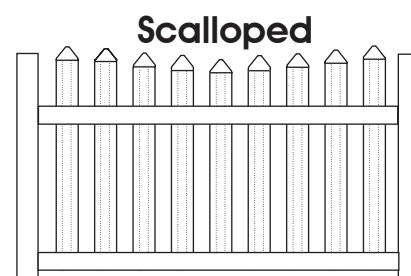
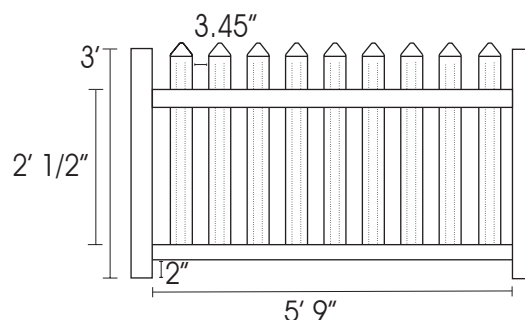
Post Tops  Ball Post Top  New England Post Top  Solar Light Post Top  Gothic Post Top  Bevel Post Top
 4" x 60" Routed End, Corner, & Line Posts (White/Tan-FW/FA060E, FW/FA060C, FW/FA060L)

NOTE: YOU SHOULD WEAR SAFETY GLASSES AND GLOVES WHEN WORKING WITH THIS PRODUCT.

Genova Vinyl Fence exceeds national building code requirements. Building codes vary in different areas so be sure to consult your local building department for codes and regulations for fence installations.

Project Preparation

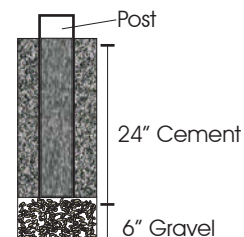
- Tools you will need include a carpenter level, a corner level, string, drill with 1/4" drill bit, tape measure, pencil, stakes, and spray paint to mark the ground.
- Stake the ground to locate the proper location of the Posts. To keep Posts in line, stretch a string line between the stakes and align the Posts to the string.
- Before setting Posts determine what type of Post (line, end, or corner) is needed at each Post location.
- Drill three 1/4" drainage holes through the bottom of the Bottom Rail, making sure to drill through both ribs.
- To construct a Scalloped Picket fence (see illustration) cut 2 Boards to each specified length: 33", 32 1/16", 31 3/8", 31", & 30 7/8" (only cut one board). (Do not cut the notched end of the Board and make sure all cuts are straight to ensure proper fitting of Picket Board Tops.)



Installation Instructions

1. Set Posts and Attach Rails . . .

- Mark the ground where the first Post will be installed. Measure 69" from the inside of the first Post to the inside of the next Post.
- Dig the two post holes 30" deep, pour 6" of gravel into each hole, fill holes with concrete, mark a pencil line 24" from the bottom on each Post, and place Posts in holes (see illustration). Do not bury Posts deeper than 24" (this will allow a 2" clearance between the ground and the Bottom Rail).
- Slide the 2" x 4" Bottom Rail into the routed holes on the bottom of the Posts with the routed openings in the Rail facing upward.



Contact Genova Products with any questions:
 (800) 521-7488 or email inquiries@genovaproducts.com

Form# 253544 5/07

Installation Instructions (Continued)

- Before proceeding, make sure Posts are level and plumb (using a carpenter or corner level) and spaced precisely 69" apart.
 - Slide the 2" x 4" Routed Rail into the top routes on the Posts.
 - After the Posts and Rails are in place and cement has cured, drill a 1/4" drainage hole approximately 1" from the ground into the Post, between the ground and the Bottom Rail.
 - If you are installing more than one section of fence, repeat the process above, digging post holes and attaching Rails as you go. When attaching Rails to proceeding sections, slide the Rails into the new Post first, then into the Post connected to the assembled section.
- 2. Attach Boards . . .**
- Slide the first Board, notched end down, through the Top Rail and into the Bottom Rail.
 - Pull up on the Board to make sure it is secured to the Rail. If the Board can be easily removed from the Bottom Rail, use pliers to make the notch more pronounced and reinsert the Board into the Bottom Rail.
 - Repeat this process with the rest of the Boards, making sure all notches are facing the same direction.
- 3. Add Decorative Post Tops . . .**
- Apply a small amount of Genova Vinyl Adhesive to the inside bottom surface of the Post Top, where the Top contacts the Post.
 - Attach the Post Top, hold for 15 seconds, and wipe off any excess Adhesive.
 - To attach Board Tops, apply Adhesive to the inside surface of the Board, where the Top contacts the Board.
 - Attach the Board Top to the Board, hold for 15 seconds, and wipe off any excess Adhesive.
 - Repeat above instructions for all Post and Board Tops.