

Vinyl Fence in-a-box

Shadowbox Gate

Part # FSG100-White

Kit Contains

- 2 2" x 6" x 68-1/2" Side Rails
- 2 2" x 6" x 42-3/8" Top & Bottom Rails
- 1 2" x 6" x 30-3/8" Middle Rail
- 10 1" x 6" Fence Boards
- 4 Corner Stiffeners
- 2 Middle Stiffeners
- 1 Locking Latch w/ Hardware
- 2 Hinges
- 2 Gate Stops
- 40 Screw Covers
- 52 #10 x 1-1/4" Stainless Steel Pan Head Screws
- 8 1/4" x 20 x 2 3/4" Stainless Steel Phillips Pan Head Machine Screws, Flat Washers and Lock Nuts

Parts Needed but Not Included

Genova Vinyl Adhesive

NOTE: YOU SHOULD WEAR SAFETY GLASSES AND GLOVES WHEN WORKING WITH THIS PRODUCT.

Genova Vinyl Fence exceeds national building code requirements. Building codes vary in different areas so be sure to consult your local building department for codes and regulations for fence installations.

Project Preparation

- Construct Gate Kit with pieces lying on a flat surface.
- A dry fit pre-assembly is recommended, so to avoid incorrectly solvent welding components together.
- Genova recommends reinforcing the End Gate Posts with 9' long wood posts. Before burying the wood posts notch the wood so the Rails can slide into the routed holes in the Vinyl Post. Cut off the bottom of the Vinyl End Posts and slide them over the wood post. You may need to shave the corners off of the wood post to get it to slide into the Vinyl Post. A table saw set on a 45° angle works well for doing this.

Installation Instructions

1. Set gate posts 43-7/8" apart, measured inside to inside.
2. Lay the Middle Rail flat.
 - Snap Fence Boards into the bottom of the Middle Rail.
 - Snap Fence Boards into the Bottom Rail.
 - Snap Fence Boards into the top of the Middle Rail.
 - Snap Fence Boards into the Top Rail.
 - Make sure orientation of the rails are consistent throughout.
3. Place Middle Stiffener 4" into the middle of the Middle Rail with gray color facing down. (See Figure 1)
 - Place Corner Stiffeners into the Top and Bottom Rails.
 - Slide the Side Rail with all Corner & Middle Stiffeners in place together for a tight fit. (See Figure 2)
4. Repeat step 3 on the other side. Once you are pleased with the look of your gate move onto step 5.

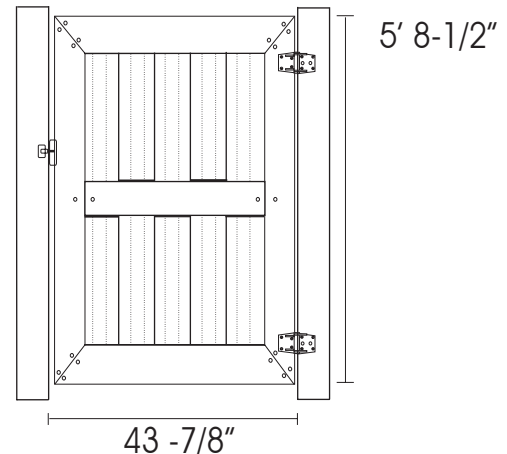


Figure 1

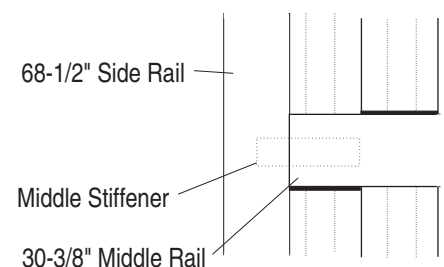
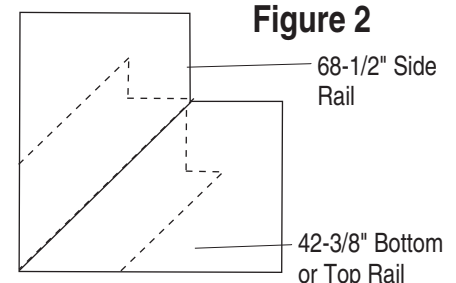


Figure 2



Contact Genova Products with any questions:
 (800) 521-7488 or email inquiries@genovaproducts.com

Form# 253561 6/07

Installation Instructions (Continued)

5. Take one Side Rail off and place Adhesive inside the middle opening of the Middle Rail and on the outside of the Middle Stiffener. Reinsert Middle Stiffener 4" into the Middle Rail.
6. Mark and drill one 1/8" hole approximately 3/4" deep, through the Middle Rail and glued Middle Rail Stiffener. Screw (1) #10 x 1-1/4" Pan Head Screw and Cover into the pre-drilled hole. (See Figure 3)
7. Place Adhesive on the inside bottom end of the Side Rail and the outside of the Corner Stiffener where the two will meet. Insert the Stiffener into the Side Rail. Do the same for the top corner.
8. Place Adhesive on the outside of the exposed Corner Stiffeners, in the inside of the Top and Bottom Rails, and on the outside of the exposed Middle Rail Stiffener. Now, fit corners and attach the whole Side Rail together. Repeat steps 5 through 8 on the other side of the gate.
9. On each corner where the Rails meet, mark and drill two 1/8" holes approximately 3/4" deep on each side of the seamed corner. (See Figure 4) The holes on one side should be slightly offset from the holes on the opposite side so that the screws do not hit each other. Screw (4) #10 x 1-1/4" Pan Head Screws with Screw Covers into the pre-drilled holes. Repeat for each corner. (See Figure 4)
10. Mark and drill one 1/8" hole approximately 3/4" deep, through the Side Rail and the Middle Stiffener. Screw (1) #10 x 1-1/4" Pan Head Screw and Cover into the pre-drilled hole. (See Figure 3)
11. Once you have secured all Screws & Covers, flip the whole gate onto the other side and repeat steps 6, 9 & 10 using (20) #10 x 1-1/4" Pan Head Screws and Covers.
11. Install the Hinges as close to the top and bottom of the gate as possible. Use the (8) 1/4" Machine Screws, Flat Washers and Lock Nuts to secure the Hinges to the gate. Set the gate with Hinges attached against the Post, making sure the gate is at the same level as the fence sections. Attach the Hinges to the Post with (8) #10 x 1-1/4" Pan Head Screws.
12. Install the Latch System as per the instructions provided with the Latch.
13. After completing the gate installation, close the gate so that the Latch has engaged. Place the Gate Stop against the Post and gate at the desired top location. Mark the two screw holes on the Post with a pencil. Open the gate and screw the Gate Stop onto the post using (2) 1-1/4" Pan Head Screws. Repeat this process with the other Gate Stop and remaining (2) 1-1/4" Pan Head Screws, positioning it at the bottom of the gate.

Figure 3

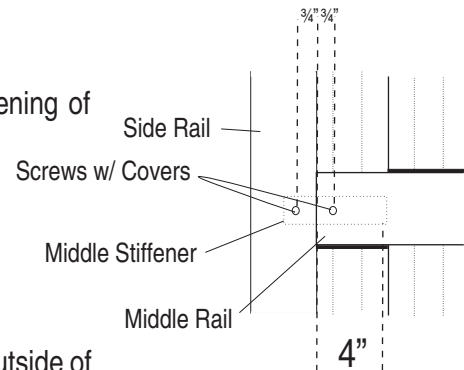


Figure 4

